

## TITLE: Pelican™ Products Upgrades Their Popular 1400 Protector™ Case

### PRODUCTS AFFECTED: All models of the 1400 Protector™ Case

#### INTRODUCTION:

Pelican™ has reengineered their popular 1400 Case to include host of damage protection upgrades.

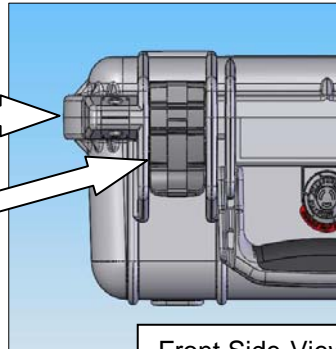
#### DETAILS:



New 1400 Case Design Rendering

Added Bumper pads for increased corner drop protection.

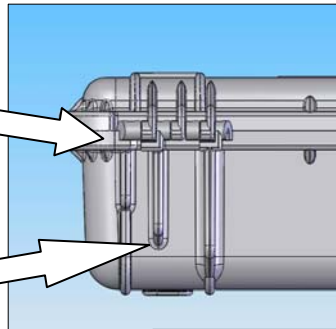
Double throw latch size increased to 1.5 inches for easier access.



Front Side View

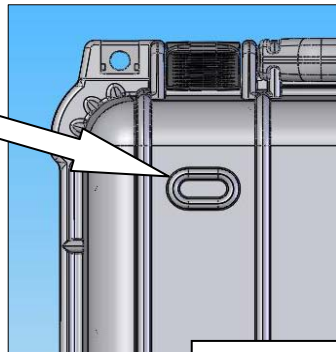
Hinge size increased for a stronger lid design.

Impact deflection ribs added to protect the hinges and corners.



Back Side View

Increased size of feet for enhanced stability.



Bottom View