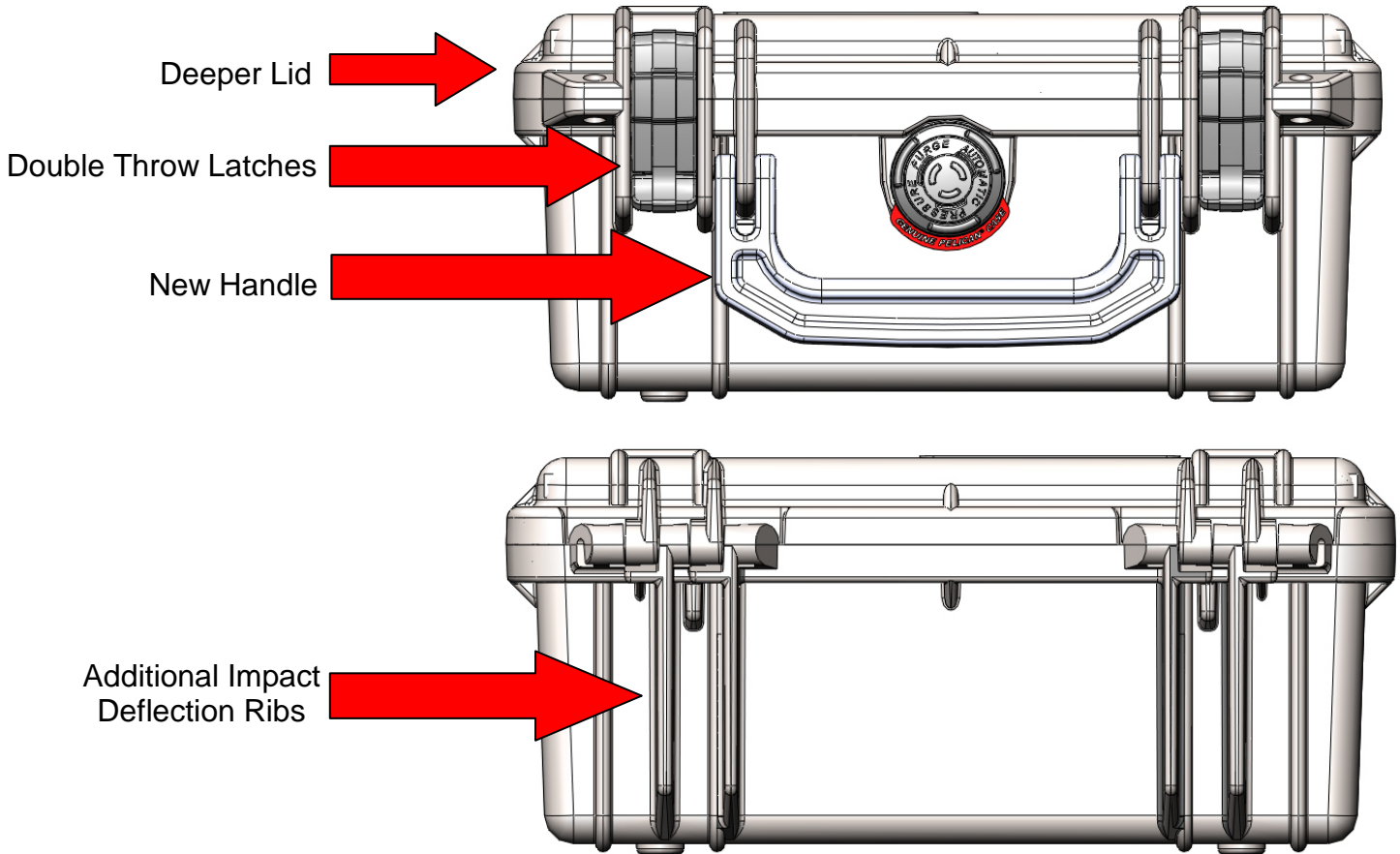


DATE: SEPTEMBER 3, 2014

TITLE: PELICAN 1150 CASE DESIGN REFINEMENTS

PRODUCTS AFFECTED: PELICAN 1150 CASE

DETAILS: The Pelican 1150 Case has undergone the following design refinements:



Prior Internal Dimensions			New Internal Dimensions		
Length	Width	Height	Length	Width	Height
8.18"	5.68"	3.62"	8.49"	5.99"	3.75"
Prior External Dimensions			New External Dimensions		
Length	Width	Height	Length	Width	Height
9.12"	7.56"	4.37"	9.44"	7.8"	4.29"



Pelican Products • 23215 Early Avenue • Torrance, CA 90505 • Tel.: 310.326.4700 • 800.473.5422 • Fax: 310.326.3311 • www.pelican.com

Pelican Products ULC • 10221 - 184th Street, Edmonton, Alberta T5S 2J4 • Toll Free: 866.273.5422 • www.pelican.ca

Pelican Products Pty Ltd. • Suite 2.33 West Wing, Platinum Building, 4 Ilya Ave, Erina NSW 2250 • Tel.: +62 4367 7022 • Fax: +62 4367 7066 • www.pelicanaustralia.com