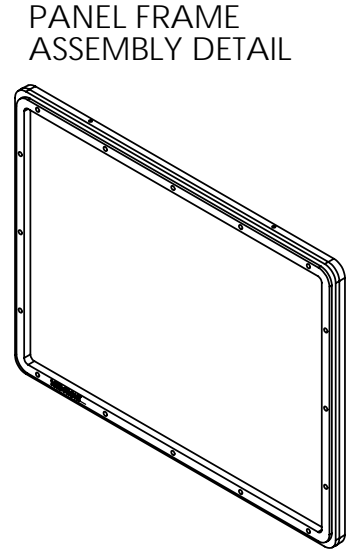
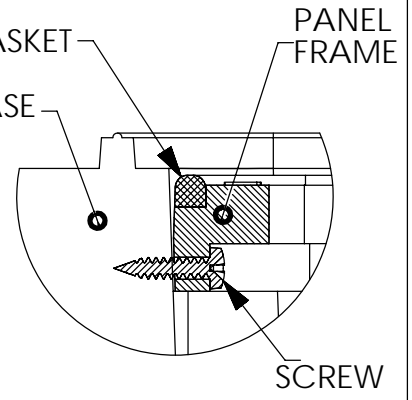


REVISIONS			
REV.	DESCRIPTION	DATE	APPR'VD
PR	PRODUCTION RELEASE SEE ECO 06-030	2/27/2006	BT
A	RELOC MTG HOLES PER 08-060	4/16/2008	BT



SECTION A-A

1. DIMENSIONS IN [ ] ARE IN MILLIMETERS  
 NOTES: UNLESS OTHERWISE SPECIFIED.

TITLE		APPROVALS		DATE	
1550 PANEL FRAME INSTRUCTION SHEET					
SIZE		MATERIAL		DRAWG #	
A		SHT 1 OF 1		1553-314-000	
DO NOT SCALE DRAWING		SCALE		REV	
				A	