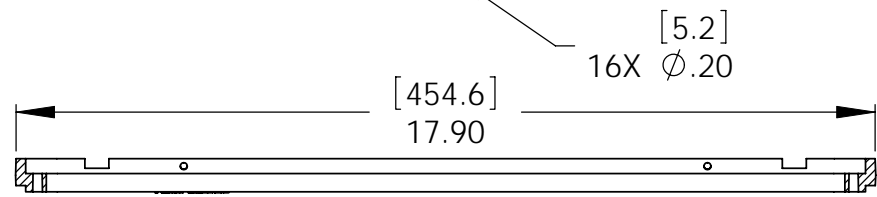
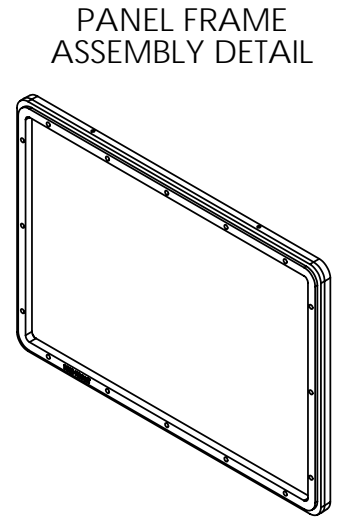
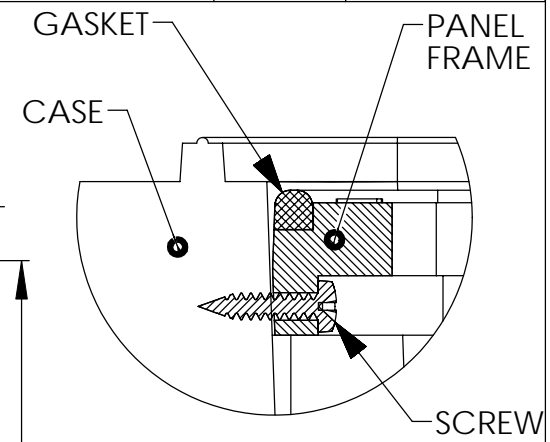
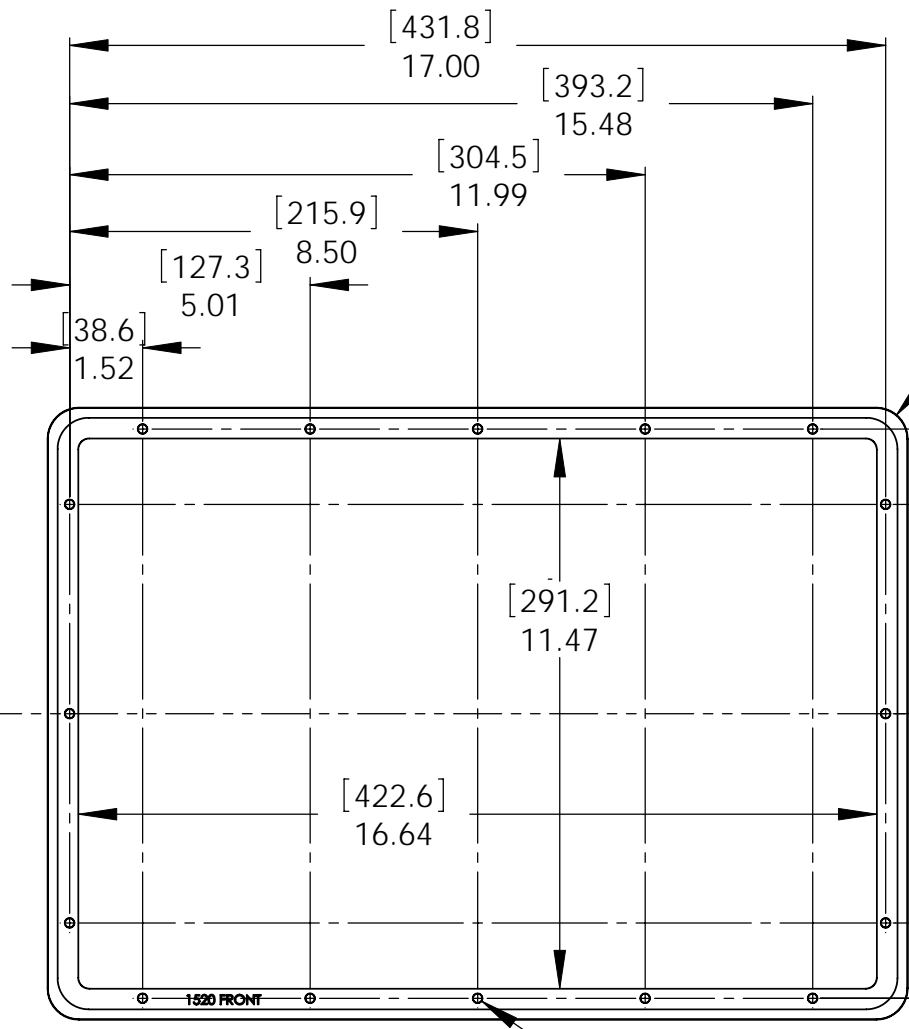


REVISIONS			
REV.	DESCRIPTION	DATE	APPR'VD
PR	PRODUCTION RELEASE SEE ECO 06-030	2/24/2006	BT
A	RELOC MTG HOLES PER 08-060	4/16/2008	BT



SECTION A-A

TITLE		1520 PANEL FRAME INSTRUCTION SHEET		APPROVALS	DATE
DRAWN					
CHECK					
APPR					
SIZE	MATERIAL	DRAWG #	REV		
A	SHT 1 OF 1	1523-314-000	A		
DO NOT SCALE DRAWING					

1. DIMENSIONS IN [] ARE IN MILLIMETERS
 NOTES: UNLESS OTHERWISE SPECIFIED.