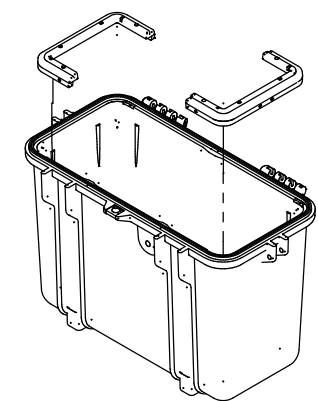
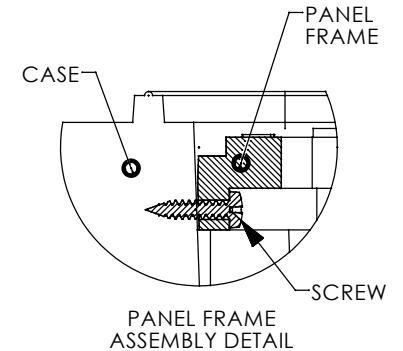
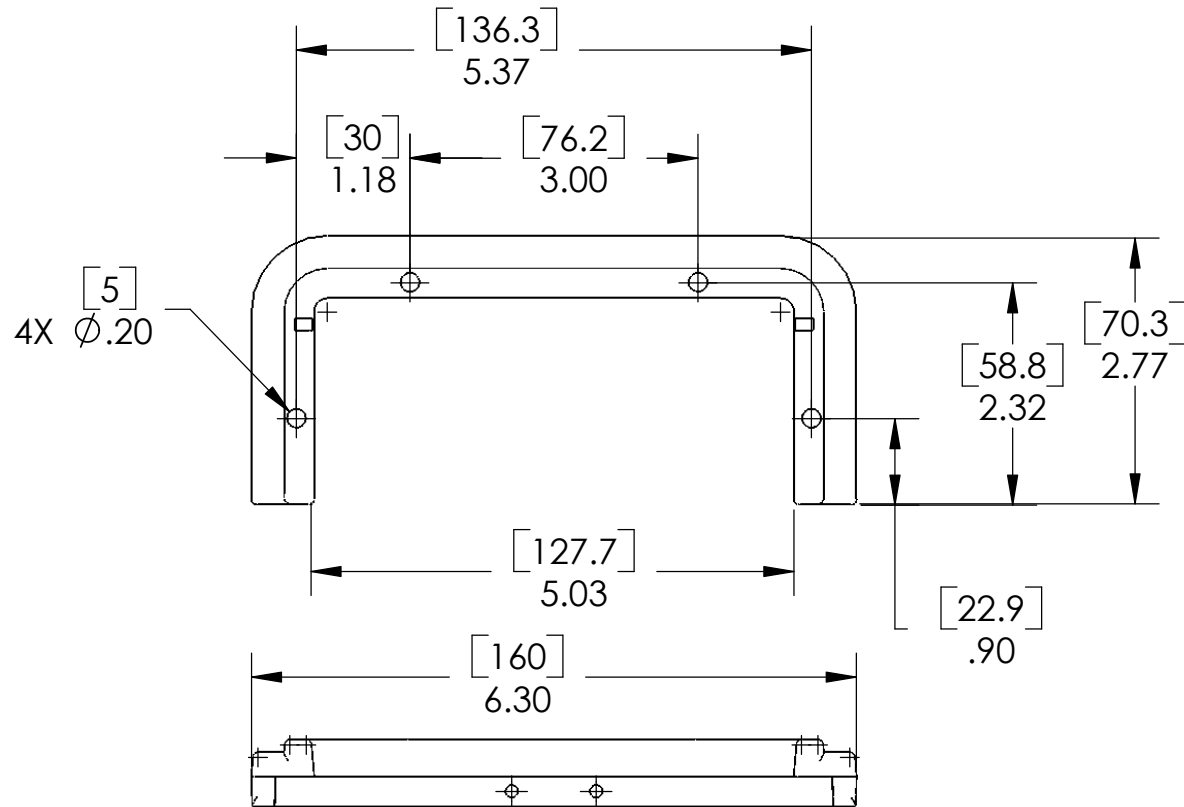


REVISIONS				
REV.	DESCRIPTION	DATE	DRFTR	APPR'VD
PR	PRODUCTION RELEASE SEE ECO 06-030	3/24/06		BT



		TITLE		APPROVALS		DATE	
		<p style="text-align: center;">1430 PANEL FRAME INSTRUCTION SHEET</p>		DRAWN			
CHECK							
APPR							
DO NOT SCALE DRAWING		SIZE	MATERIAL	DRAWG #		REV	
		A	SHT 1 OF 1	SCALE 1:2	1433-312-000	PR	