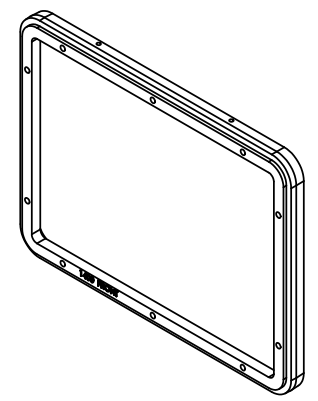
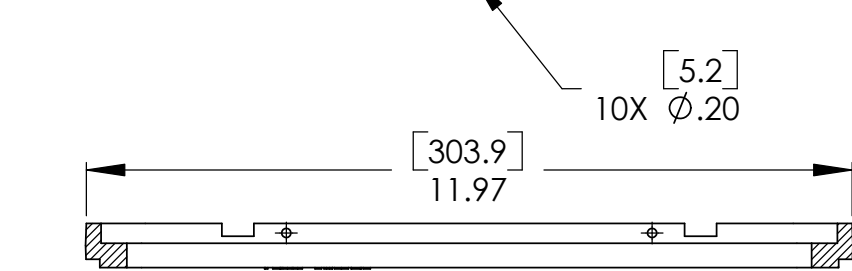
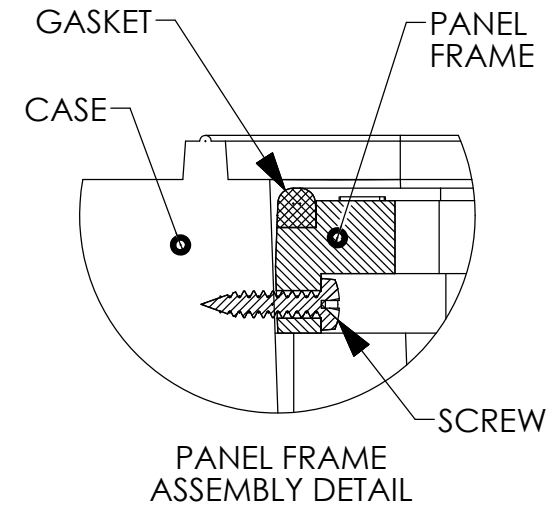
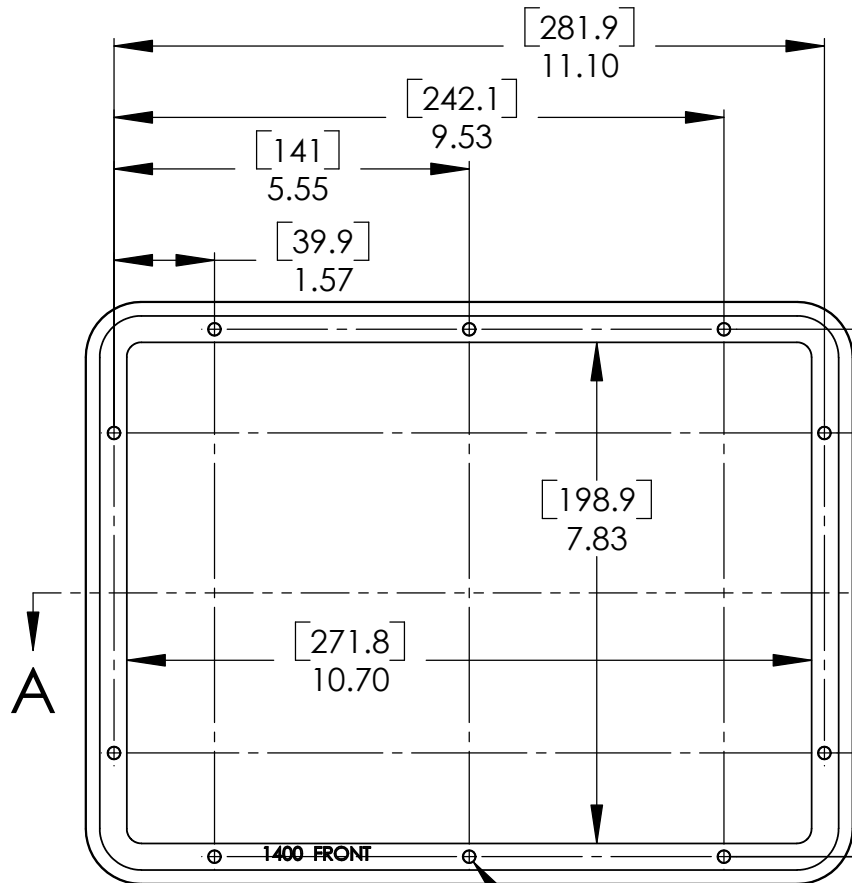


REVISIONS			
REV.	DESCRIPTION	DATE	APPR'VD
PR	PRODUCTION RELEASE SEE ECO 06-030	2/24/2006	BT



1. DIMENSIONS IN [] ARE IN MILLIMETERS
 NOTES: UNLESS OTHERWISE SPECIFIED.

DO NOT SCALE DRAWING		TITLE 1400 PANEL FRAME INSTRUCTION SHEET		APPROVALS	DATE
		SIZE A	MATERIAL SHT 1 OF 1	DRAWG # 1403-314-000	REV PR