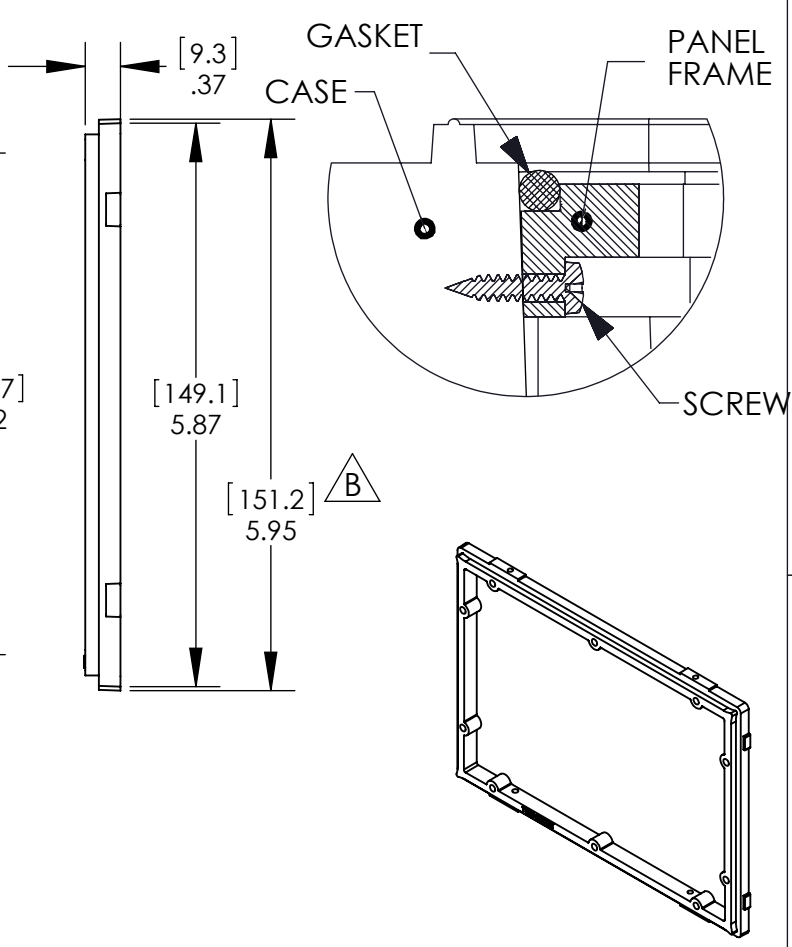
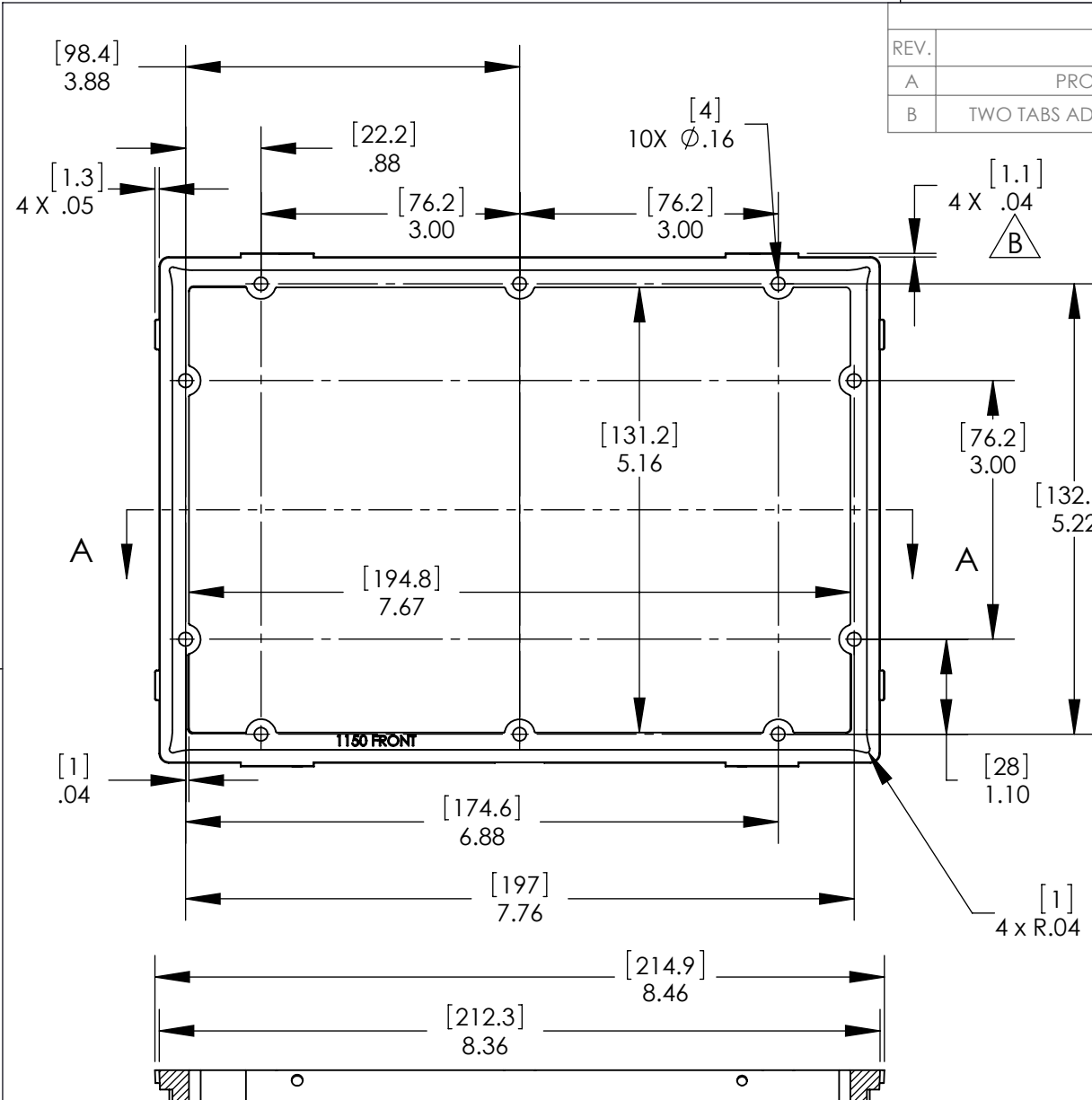


REVISIONS					
REV.	DESCRIPTION	ECR #	DATE	DRAWN	APPR'VD
A	PRODUCTION RELEASE	5-13345	1/21/15	MH	MG
B	TWO TABS ADDED ON EACH LONG SIDES	5-16833	1/28/16	MH	MG



SECTION A-A

1. DIMENSION IN [ ] ARE IN MILLIMETERS  
 NOTES: UNLESS OTHERWISE SPECIFIED.

TITLE		APPROVALS		DATE
<p style="text-align: center;"><b>1150                  PANEL FRAME                  INSTRUCTION SHEET</b></p>		DRAWN		
		CHECK		
		APPR		
		DATE		
DO NOT SCALE DRAWING		<p style="text-align: center;"><b>1150                  PANEL FRAME                  INSTRUCTION SHEET</b></p>		
SIZE	MATERIAL	DRAWG #	REV	
<b>A</b>	SHT 1 OF 1	1153-313-001	<b>B</b>	
SCALE				